

CZ6474/111S

CZ6474/121B


B

描述 Descriptions

防爆灯外壳由铝合金压铸成型，表面喷涂纯环氧树脂粉末，抗腐蚀性能好。透明罩为钢化玻璃，外加发光灯罩，外露紧固件采用不锈钢材料。防爆灯配隔爆型电缆密封套直接引入，防爆灯具内部独特的隔热设计与外部高密度的散热片相结合散热效果更佳。

防爆灯为IIC级LED防爆警示灯，既适用于爆炸性环境，也适用于具有强腐蚀性的石化、化学场所和海洋环境等。

防爆灯作为设备的警示信号灯用。该灯设有常亮和闪亮两种发光类型，采用白色LED光源，通过不同颜色的灯罩，实现红色、绿色、黄色、蓝色和白色亚光等五种颜色，且能通过选装1个或2个防爆蜂鸣器，实现声光一体信号指示。

防爆灯可分为平面灯和支架灯。

- 长寿命免维护，使用寿命长达50000小时，可实现长期免维护
- 具有良好的电磁兼容性，不会对系统电网造成干扰
- LED属于固态光源，抗震性能佳
- 隔爆最高等级IIC级
- 安装维护方便
- 防护等级高达IP66
- IECEx、ATEX认证

The explosion-proof light fittings shell is made of aluminum alloy die-casting, and the surface is sprayed with pure epoxy resin powder, with good corrosion resistance. The transparent cover is made of tempered glass, plus a luminous lamp cover, and the exposed fasteners are made of stainless steel. The explosion-proof lamp is equipped with explosion-proof cable gland for directly cable entry. The unique heat insulation design inside the explosion-proof lamp is combined with the external high-density heat sink, heat dissipation effect for better.

The explosion-proof light fittings is IIC LED explosion-proof warning lamp, which is not only suitable for explosive environment, but also suitable for petrochemical, chemical places and marine environment with strong corrosivity. The explosion-proof light fittings is used as the warning signal lamp of the equipment. The lamp has two light forms: constant on and flashing. By changing different lamp cover, it can realize the warning signal indication of red, green, yellow, blue and white matt, and can realize the integrated signal indication of sound and visual by selecting one or two explosion-proof buzzers.

Explosion proof light fittings can be divided into flat type and bracket type.

1 区和 2 区

21 区和 22 区

Zone 1 and zone 2

Zone 21 and zone 22

- It is long life and maintenance-free which the service life is up to 50000 hours and the maintenance-free of long term.
- There is a feature of good electromagnetic compatibility and it does not cause interference to the system power grid.
- There is a good performance of vibration due to the LED is the solid-state light source.
- The highest flameproof level is IIC.
- It is convenient to be mounted and maintained.
- The degree of protection is up to IP66.
- International IECEx Approval, Europe union ATEX Approval.

主要数据 Main technical data

认证 Certification	防爆标志 Ex mark	符合标准 Meet the standard
China	Ex db IIC T6/T5 Gb 不带蜂鸣器 Without buzzer Ex db ib IIC T6/T5 Gb 带蜂鸣器 With buzzer Ex tb IIIC T80°C/T95°C Db	GB/T3836
IECEX	Ex db IIC T6/T5 Gb 不带蜂鸣器 Without buzzer Ex db ib IIC T6/T5 Gb 带蜂鸣器 With buzzer Ex tb IIIC T80°C/T95°C Db	IEC60079
ATEX	⊕ II 2G Ex db IIC T6/T5 Gb 不带蜂鸣器 Without buzzer Ex db ib IIC T6/T5 Gb 带蜂鸣器 With buzzer ⊕ II 2D Ex tb IIIC T80°C/T95°C Db	EN60079

 适用范围: 用于 1 区和 2 区
 用于 21 区和 22 区

防护等级: IP66

 额定电压: 20 ~ 40V DC/14~28V AC 50/60Hz
 127~ 250V DC/100 ~ 250V AC 50/60Hz

功率/光通量: LED 5W/50lm

功率因素: > 0.98

 使用环境温度: -60°C/-40°C≤Ta≤+40°C/55°C
 (-60°C灯具电气设备需要定制)

 额定声压: 1只蜂鸣器 > 95bB (在1m处)
 2只蜂鸣器 > 125bB (在1m处)

闪亮频率: 60次/min

 接线端子: 端子 2.5mm², PE 端子 2×10mm²

 电缆入口: CZ6474/111S: 4-M25×1.5
 CZ6474/121B: 2-M25×1.5

 Intended use: Can be used in zone 1 and zone 2
 Can be used in zone 21 and zone 22

Degree of protection: IP66

 Rated voltage: 20 ~ 40V DC/14 ~ 28V AC 50/60Hz
 127~ 250V DC/100 ~ 250V AC 50/60Hz

Power/Luminous flux: LED 5W/50lm

Power factor: > 0.98

Ambient temperature: -60°C/-40°C≤Ta≤+40°C/55°C

(-60°C lamp electrical equipment need to be customized)




 Rated sound pressure: With one buzzer > 95bB (at 1m)
 With two buzzers > 125bB (at 1m)

Stroboscopic frequency: 60 times /min

 Terminal: Terminal 2.5mm², PE terminal: 2×10mm²

 Cable entry: CZ6474/111S: 4-M25×1.5
 CZ6474/121B: 2-M25×1.5

订购规格 Order specifications

图样 Illustration	蜂鸣器 Buzzer	温度组别T* Temperature class*				重量(kg) Weight	订购号 Order No.
		Ta≤40°C		Ta≤55°C			
		LW	WW	LW	WW		
 S-平面灯, U型灯罩 Flat ligh, U Type light cover	不带蜂鸣器 Without buzzer	T5	T6	T4	T5	1.65	CZ6474/111S-LED□□05W-□□-□-□-DA5
		T5	T6	T4	T5	1.75	CZ6474/121B-LED□□05W-□□-□-□-DA1
 B-支架灯, U型灯罩 Bracket ligh, U Type light cover	带1个蜂鸣器 With one buzzer	T5	T6	T4	T5	1.75	CZ6474/111S-LED□□05W-□□-□-□-1B-DA3
		T5	T6	T4	T5	1.85	CZ6474/121B-LED□□05W-□□-□-□-1B-DA0
 B-支架灯, 平灯罩 Bracket ligh, Flat light cover	带2个蜂鸣器 With two buzzers	T5	T6	T4	T5	1.85	CZ6474/111S-LED□□05W-□□-□-□-2B-DA1
W-U型罩 U Type light cover L-平罩 Flat light cover		← 灯罩形式 Light cover forms					
R-红色 Red B-蓝色 Blue G-绿色 Green W-白色亚光 Matte white Y-黄色 Yellow		← 灯罩颜色 Light cover color					
07-20 ~ 40V DC/14 ~ 28V AC 50/60Hz 17-127~ 250V DC/100 ~ 250V AC 50/60Hz		← 额定电压/频率 Rated voltage/frequency					
4 - -40°C≤Ta≤+40°C/+55°C 6 - -60°C≤Ta≤+40°C/+55°C		← 使用环境温度 Ambient temperature					
L-常亮 Constant ON F-闪亮 Flashing		← 发光形式 The lighting form					
1B-1只蜂鸣器 One buzzer 2B-2只蜂鸣器 Two buzzers		← 蜂鸣器 (不配不注) Buzzer (Optional)					
电缆引入装置编码 Code of cable gland		←					

电缆引入装置编码 Code of cable gland

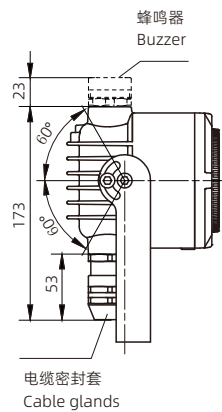
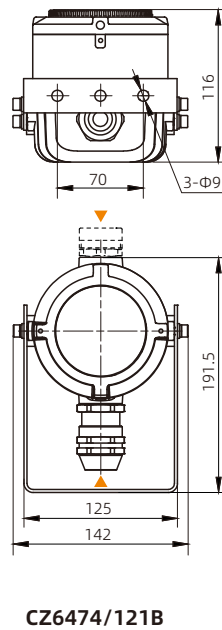
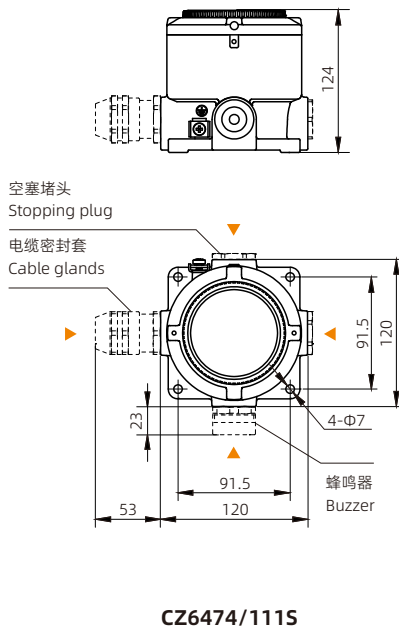
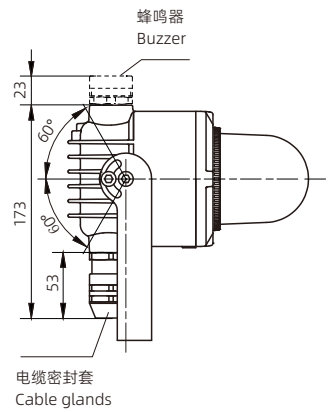
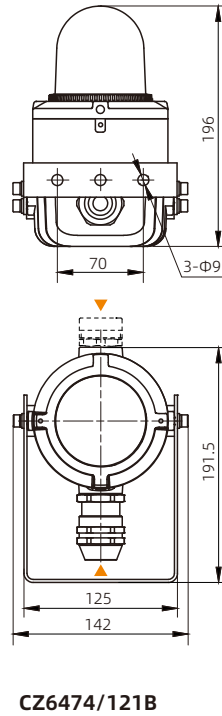
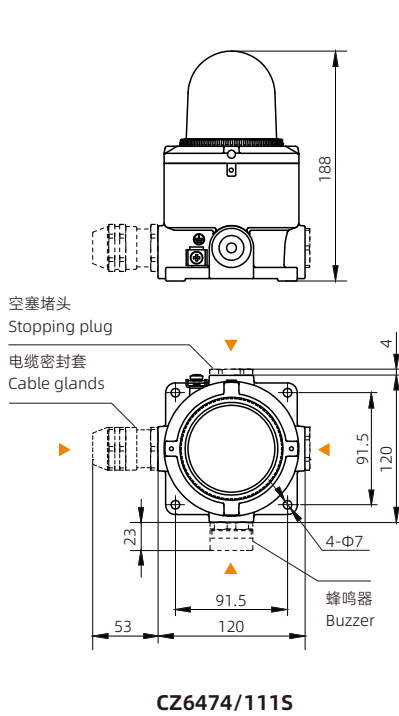
CZ6474/111□ 不带蜂鸣器 Without buzzer		
编码 Code	规格 Specification	电缆直径 Cable diameter
DA5	铜制 1 个 CZ1725/1A M25×1.5 电缆密封套, 3 个 CZ1725/3A M25×1.5 空塞堵头 One brass CZ1725/1A M25×1.5 cable gland, three CZ1725/3A M25×1.5 stopping plugs	Φ12-19mm
DA6	铜制 2 个 CZ1725/1A M25×1.5 电缆密封套, 2 个 CZ1725/3A M25×1.5 空塞堵头 Two brass CZ1725/1A M25×1.5 cable glands, two CZ1725/3A M25×1.5 stopping plugs	Φ12-19mm
CZ6474/111□ 带1只蜂鸣器 With one buzzer		
DA3	铜制 1 个 CZ1725/1A M25×1.5 电缆密封套, 2 个 CZ1725/3A M25×1.5 空塞堵头 One brass CZ1725/1A M25×1.5 cable gland, two CZ1725/3A M25×1.5 stopping plugs	Φ12-19mm
DA4	铜制 2 个 CZ1725/1A M25×1.5 电缆密封套, 1 个 CZ1725/3A M25×1.5 空塞堵头 Two brass CZ1725/1A M25×1.5 cable glands, one CZ1725/3A M25×1.5 stopping plug	Φ12-19mm
CZ6474/111□ 带2只蜂鸣器 With two buzzers, CZ6474/121□ 不带蜂鸣器 Without buzzer		
DA1	铜制 1 个 CZ1725/1A M25×1.5 电缆密封套, 1 个 CZ1725/3A M25×1.5 空塞堵头 One brass CZ1725/1A M25×1.5 cable gland, one CZ1725/3A M25×1.5 stopping plug	Φ12-19mm
DA2	铜制 2 个 CZ1725/1A M25×1.5 电缆密封套 Two brass CZ1725/1A M25×1.5 cable glands	Φ12-19mm
CZ6474/121□ 带1只蜂鸣器 With one buzzer		
DA0	铜制 1 个 CZ1725/1A M25×1.5 电缆密封套 One brass CZ1725/1A M25×1.5 cable gland	Φ12-19mm

灯罩附件 Accessories of light cover

图样 Illustration	描述 Descriptions	重量(kg) Weight	单位 Unit	订购号 Order No.
柔光平灯罩 Diffuser (White matt) 	白色亚光 White matt	0.27	只 Piece	D8751-LW
红色平灯罩 Red Flat light cover 	红色 Red	0.27	只 Piece	D8751-LR
绿色平灯罩 Green Flat light cover 	绿色 Green	0.27	只 Piece	D8751-LG
黄色平灯罩 Yellow Flat light cover 	黄色 Yellow	0.27	只 Piece	D8751-LY
蓝色平灯罩 Blue Flat light cover 	蓝色 Blue	0.27	只 Piece	D8751-LB
柔光U型灯罩 U Type diffuser (White matt) 	白色亚光 White matt	0.88	只 Piece	D8751-WW
红色U型灯罩 Red U Type light cover 	红色 Red	0.88	只 Piece	D8751-WR
绿色U型灯罩 Green U Type light cover 	绿色 Green	0.88	只 Piece	D8751-WG
黄色U型灯罩 Yellow U Type light cover 	黄色 Yellow	0.88	只 Piece	D8751-WY
蓝色U型灯罩 Blue U Type light cover 	蓝色 Blue	0.88	只 Piece	D8751-WB

外形尺寸 Outline dimensions

单位 Unit: mm

B


► 电缆密封套 / 蜂鸣器入口 Cable entry / Buzzer entry

